

Part Number: PT932-35162

Kit Contents

Item #	Quantity Reqd.	Description
1	1	Stainless Steel Exhaust Tip
2	1	Stainless Steel Clamp Assembly
3	1	Aluminum Spacer
4		

Hardware Bag Contents

Item #	Quantity Reqd.	Description
1		

Additional Items Required For Installation

Item #	Quantity Reqd.	Description
1		

Conflicts

TRD Exhaust

Recommended Tools

Personal & Vehicle Protection	Notes
None	
Special Tools	Notes
None	
Installation Tools	Notes
Ratchet	
Socket	15 mm Deep Well Socket
Torque Wrench	55 N-m, 41 ft-lbf
Rubber Mallet	
Non-scratch Cloth	
Metric Measuring Tape/Scale	
Special Chemicals	Notes
VDC Approved Cleaner	

General Applicability

All Tacoma Models

Recommended Sequence of Application


Item #	Accessory
1	
2	
3	


*Mandatory


Vehicle Service Parts (may be required for reassembly)


Item #	Quantity Reqd.	Description
1		
2		
3		


Legend


 **STOP:** Damage to the vehicle may occur. Do not proceed until process has been complied with.

 **OPERATOR SAFETY:** Use caution to avoid risk of injury.

 **CAUTION:** A process that must be carefully observed in order to reduce the risk of damage to the accessory/vehicle and to ensure a quality installation.

 **TOOLS & EQUIPMENT:** Used in Figures calls out the specific tools and equipment recommended for this process.

 **REVISION MARK:** This mark highlights a change in installation with respect to previous issue.

 **SAFETY TORQUE:** This mark indicates that torque is related to safety.



Procedure

Care must be taken when installing this accessory to ensure damage does not occur to the vehicle. The installation of this accessory should follow approved guidelines to ensure a quality installation.

These guidelines can be found in the "Accessory Installation Practices" document.

This document covers such items as:-

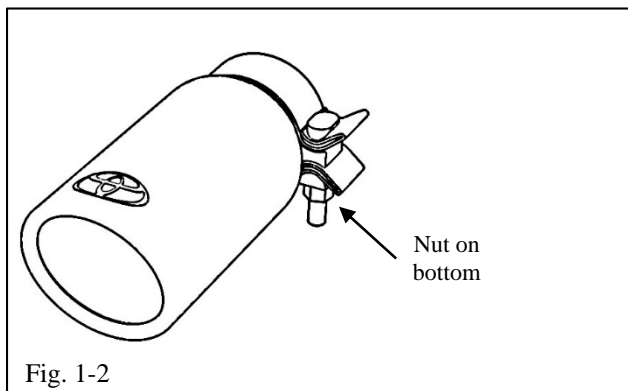
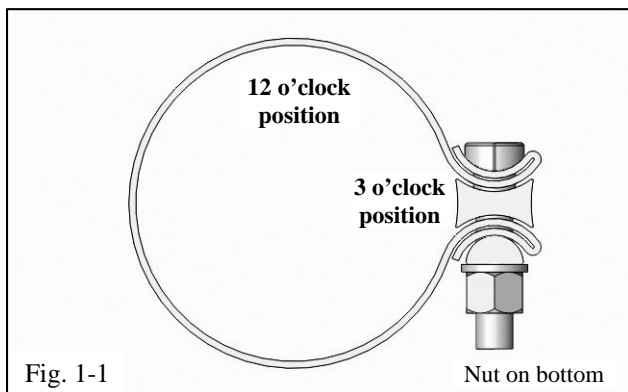
- Vehicle Protection (use of covers and blankets, cleaning chemicals, etc.).
- Safety (eye protection, rechecking torque procedure, etc.).
- Vehicle Disassembly/Reassembly (panel removal, part storage, etc.).
- Electrical Component Disassembly/Reassembly (battery disconnection, connector removal, etc.).

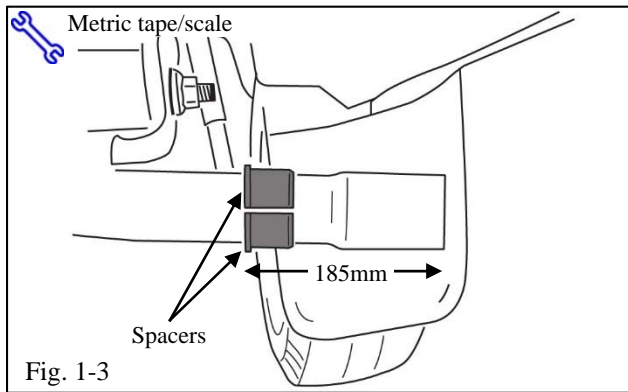
Please see your Toyota dealer for a copy of this document.

1. Installation.

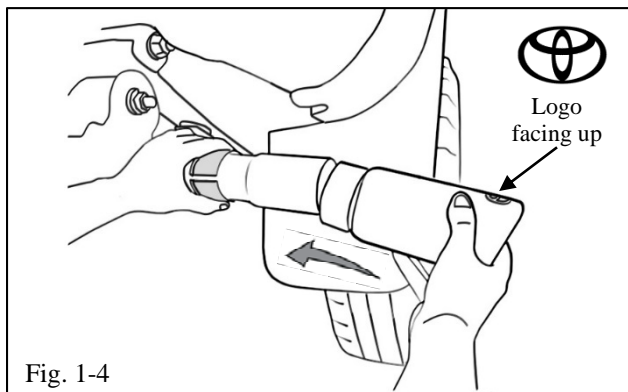
- (a) Make sure the vehicle’s tail pipe is free from dirt and debris.
- (b) Remove the exhaust tip from the box and set it on a soft surface to prevent scratching.

- !** (c) Locate the bolt of the clamp on the right side (3 o’clock position) with the nut on the bottom (Fig. 1-1 & Fig. 1-2).





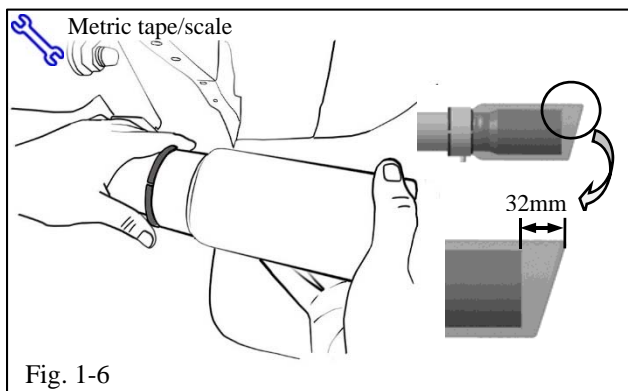
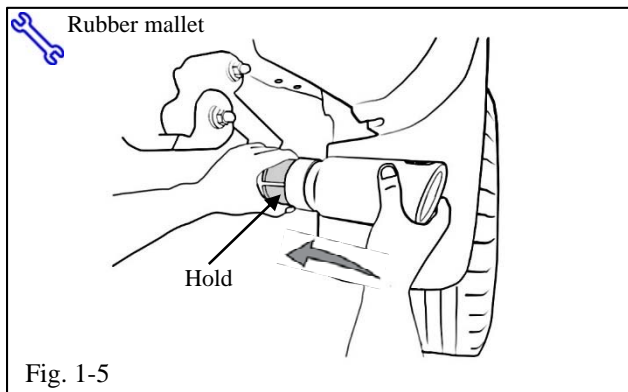
(d) Place the spacers on the exhaust pipe 185mm from the tip (Fig. 1-3).



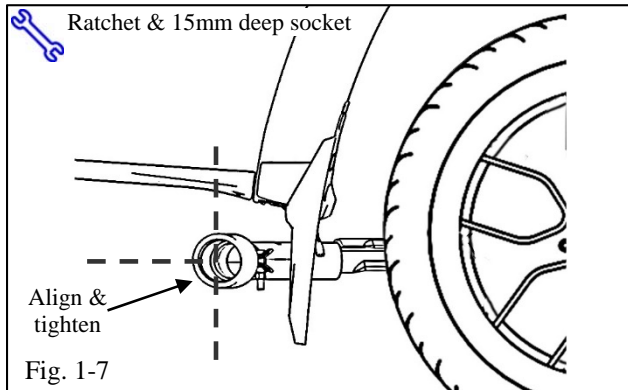
(e) Slide the exhaust tip over the tail pipe with the logo up (Fig. 1-4 & Fig. 1-5).

(1) If necessary, a rubber mallet may be used to aid installation.

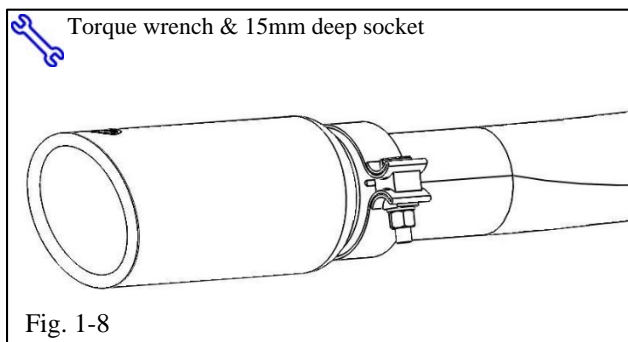
(2) Be sure to hold the spacers in place.



! (f) Continue sliding the exhaust tip over the tail pipe for an approximately 32mm distance between the end of the tail pipe and the end of the exhaust tip (Fig. 1-6).



(g) Once the tip is positioned correctly and the alignment seems accurate, tighten the clamp nut making sure the bolt remains in a vertical 3 o'clock position (Fig.1-7).

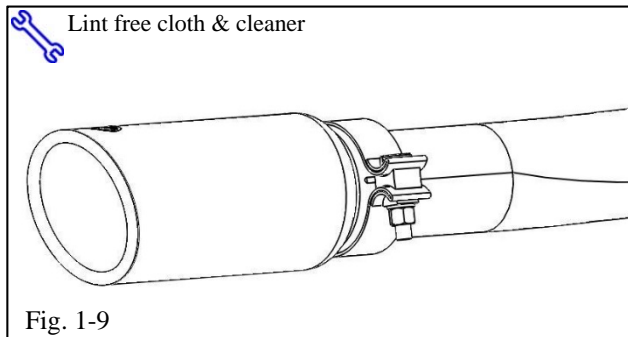


STOP (h) Torque clamp nut to 55 N-m (41 ft-lbf) (Fig. 1-8).

S **Torque: 55 N-m (41 ft-lbf)**


(i) Wait 5 seconds, then torque the nut again.

S **Torque: 55 N-m (41 ft-lbf)**



(j) Clean exhaust tip with glass cleaner or approved cleaner and non-scratching cloth (Fig. 1-9).

TOYOTA TACOMA 2016 - STAINLESS STEEL EXHAUST TIP
 Checklist - these points **MUST** be checked to ensure a quality installation.

Check:	Look For:
<p><u>Accessory Function Checks</u></p> <ul style="list-style-type: none"> <input type="checkbox"/> Correct part number installed  <input type="checkbox"/> Nut torque <input type="checkbox"/> Clamp alignment <input type="checkbox"/> Tip alignment 	<p>Verify part number on package</p> <p>Complete torque audit sheet</p> <p>Clamp oriented with nut down, facing the front of the vehicle</p> <p>Toyota logo facing up</p>
<p><u>Vehicle Function Checks</u></p> <ul style="list-style-type: none"> <input type="checkbox"/> Rattle or vibration <input type="checkbox"/> <input type="checkbox"/> 	<p>Start engine and ensure no rattles or vibrations are present</p>
<p><u>Vehicle Appearance Check</u></p> <ul style="list-style-type: none"> <input type="checkbox"/> After accessory installation and removal of protective cover(s), perform a visual inspection. 	<p>Ensure no damage (including scuffs and scratches) was caused during the installation process.</p> <p>(For PPO installations, refer to TMS Accessory Quality Shipping Standard.)</p>